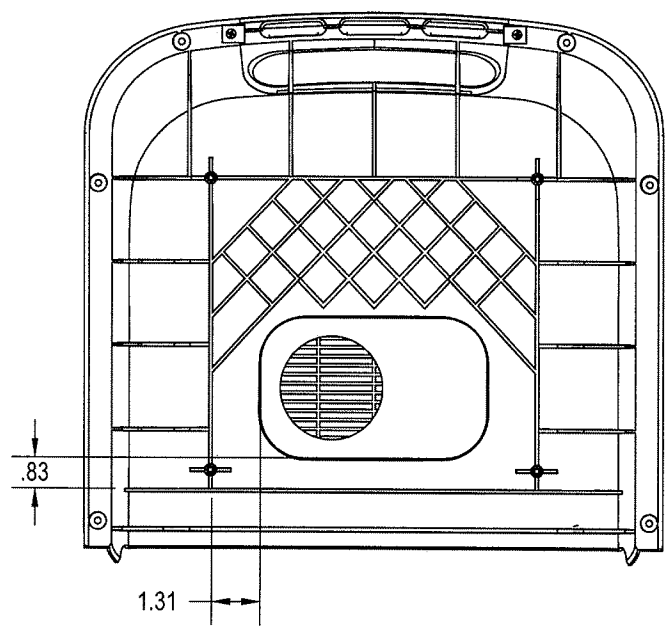
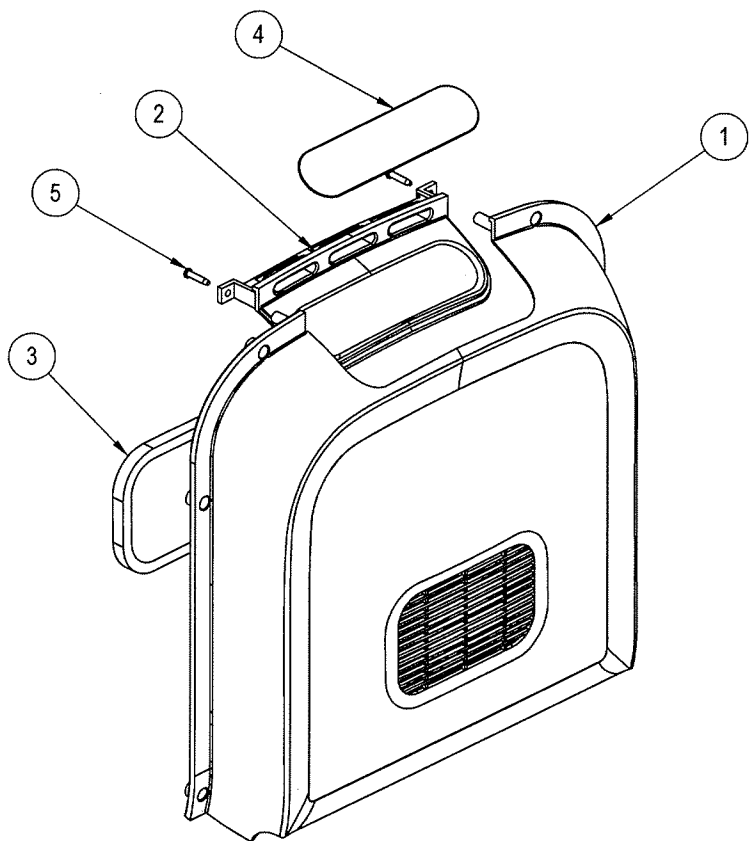


10 9 8 7 6 5 4 3 2 1

H NOTES:

REVISION HISTORY				
REV	DATE	DESCRIPTION	ECO	BY
A	8-01-08	PRODUCTION RELEASE	11963	FJM



ITEM NO.	PART NUMBER	DESCRIPTION	QTY.
1	020-7053	HOUSING, BACK, TOP, BCS	1
2	020-7058	HOUSING, TV CAP, BLANK, BCS	1
3	020-7284	GASKET, BLOWER, E-BTSe	1
4	050-2041	LOGO, STAR TRAC, 6.425X1.523	1
5	110-3402	SCREW, M4x0.7x19L, PHT, PH, CS, BZ	2


DOCUMENT STATUS:

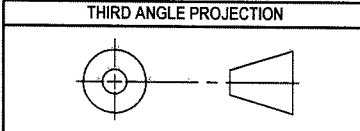
NOTICE OF PROPRIETARY INFORMATION

THIS DOCUMENT SHALL NOT BE REPRODUCED NOR SHALL THE INFORMATION CONTAINED HEREIN BE USED BY OR DISCLOSED TO OTHER EXCEPT AS EXPRESSLY AUTHORIZED BY UNISEN INC, D.B.A. STAR TRAC.

MATERIAL
SEE BOM

UNLESS OTHERWISE SPECIFIED DIMENSIONS ARE IN INCHES. TOLERANCES ARE:
 DECIMALS ANGLES
 X. = ±.13 ±2°
 X.X = ±.05
 X.XX = ±.03
 X.XXX = ±.010

UNISEN, INC. DBA

 14410 Myford Road
 Irvine CA 92606



FINISH
N/A

VENDOR: **N/A** P/N: **N/A**

DRAWN	FJM	07-16-08
CHECKED	<i>[Signature]</i>	05 Aug 08
APPROVED	<i>[Signature]</i>	8/5/08

INITIAL DATE

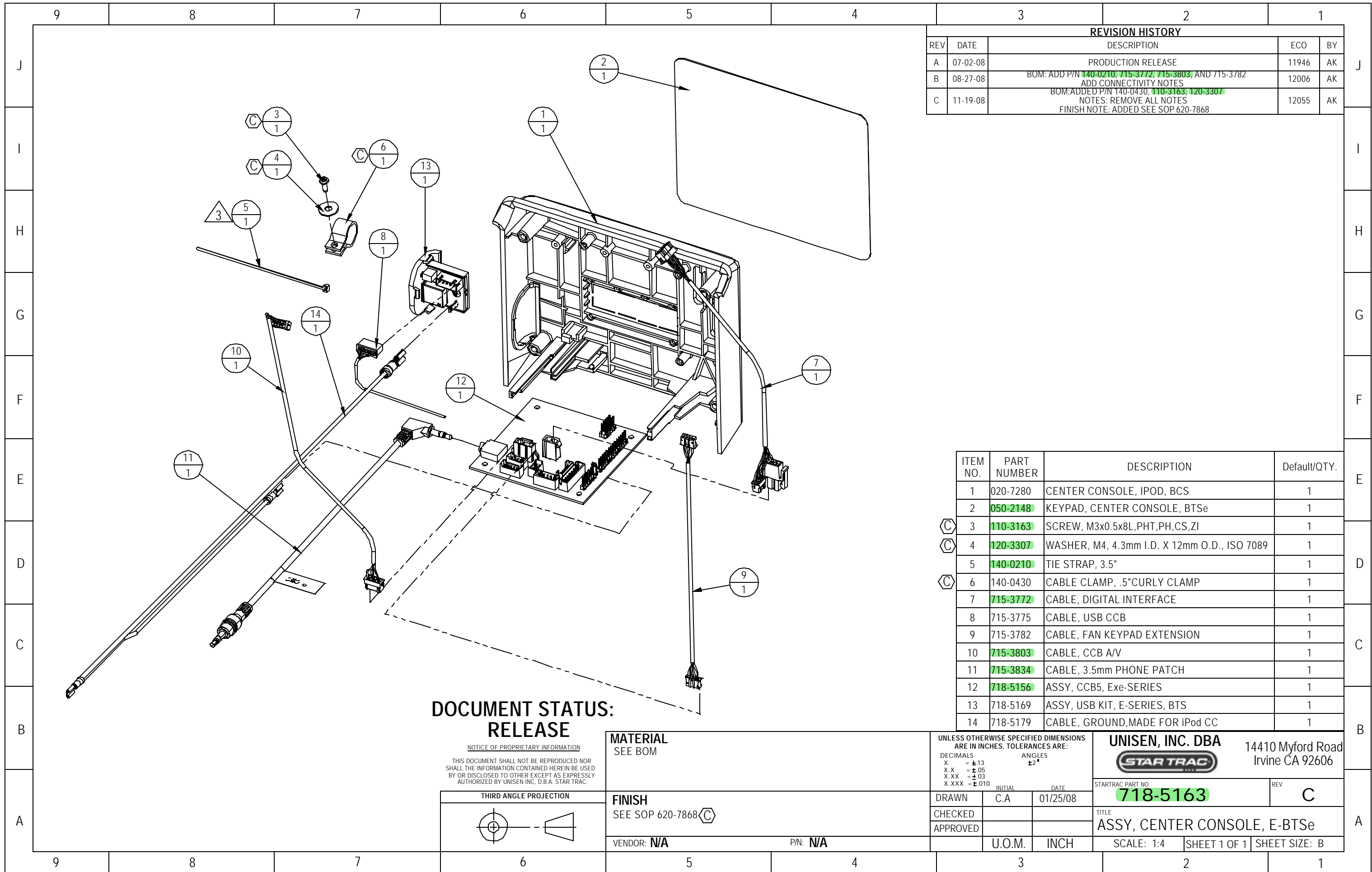
U.O.M. INCH

STARTRAC PART NO
711-3227

TITLE
ASSY, DISPLAY BACK COVER, E-BTS

SCALE: 1:5 SHEET 1 OF 1 SHEET SIZE: A

10 9 8 7 6 5 4 3 2 1

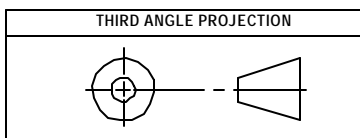


REVISION HISTORY				
REV	DATE	DESCRIPTION	ECO	BY
A	07-02-08	PRODUCTION RELEASE	11946	AK
B	08-27-08	BOM: ADD P/N 140-0210, 715-3772, 715-3803, AND 715-3782 ADD CONNECTIVITY NOTES	12006	AK
C	11-19-08	BOM: ADDED P/N 140-0430, 110-3163, 120-3307 NOTES: REMOVE ALL NOTES FINISH NOTE: ADDED SEE SOP 620-7868	12055	AK

ITEM NO.	PART NUMBER	DESCRIPTION	Default/QTY.
1	020-7280	CENTER CONSOLE, IPOD, BCS	1
2	050-2148	KEYPAD, CENTER CONSOLE, BTSe	1
3	110-3163	SCREW, M3x0.5x8L,PHT,PH,CS,ZI	1
4	120-3307	WASHER, M4, 4.3mm I.D. X 12mm O.D., ISO 7089	1
5	140-0210	TIE STRAP, 3.5"	1
6	140-0430	CABLE CLAMP, .5" CURLY CLAMP	1
7	715-3772	CABLE, DIGITAL INTERFACE	1
8	715-3775	CABLE, USB CCB	1
9	715-3782	CABLE, FAN KEYPAD EXTENSION	1
10	715-3803	CABLE, CCB A/V	1
11	715-3834	CABLE, 3.5mm PHONE PATCH	1
12	718-5156	ASSY, CCB5, Exe-SERIES	1
13	718-5169	ASSY, USB KIT, E-SERIES, BTS	1
14	718-5179	CABLE, GROUND, MADE FOR iPod CC	1

**DOCUMENT STATUS:
RELEASE**

NOTICE OF PROPRIETARY INFORMATION
THIS DOCUMENT SHALL NOT BE REPRODUCED NOR
SHALL THE INFORMATION CONTAINED HEREIN BE USED
BY OR DISCLOSED TO OTHER EXCEPT AS EXPRESSLY
AUTHORIZED BY UNISEN INC, D.B.A. STAR TRAC.



MATERIAL
SEE BOM

FINISH
SEE SOP 620-7868

VENDOR: **N/A** P/N: **N/A**

UNLESS OTHERWISE SPECIFIED DIMENSIONS
ARE IN INCHES. TOLERANCES ARE:
DECIMALS ANGLES
X. = ±.13
X.X = ±.05
X.XX = ±.03
X.XXX = ±.010

INITIAL DATE
DRAWN C.A 01/25/08
CHECKED
APPROVED
U.O.M. INCH

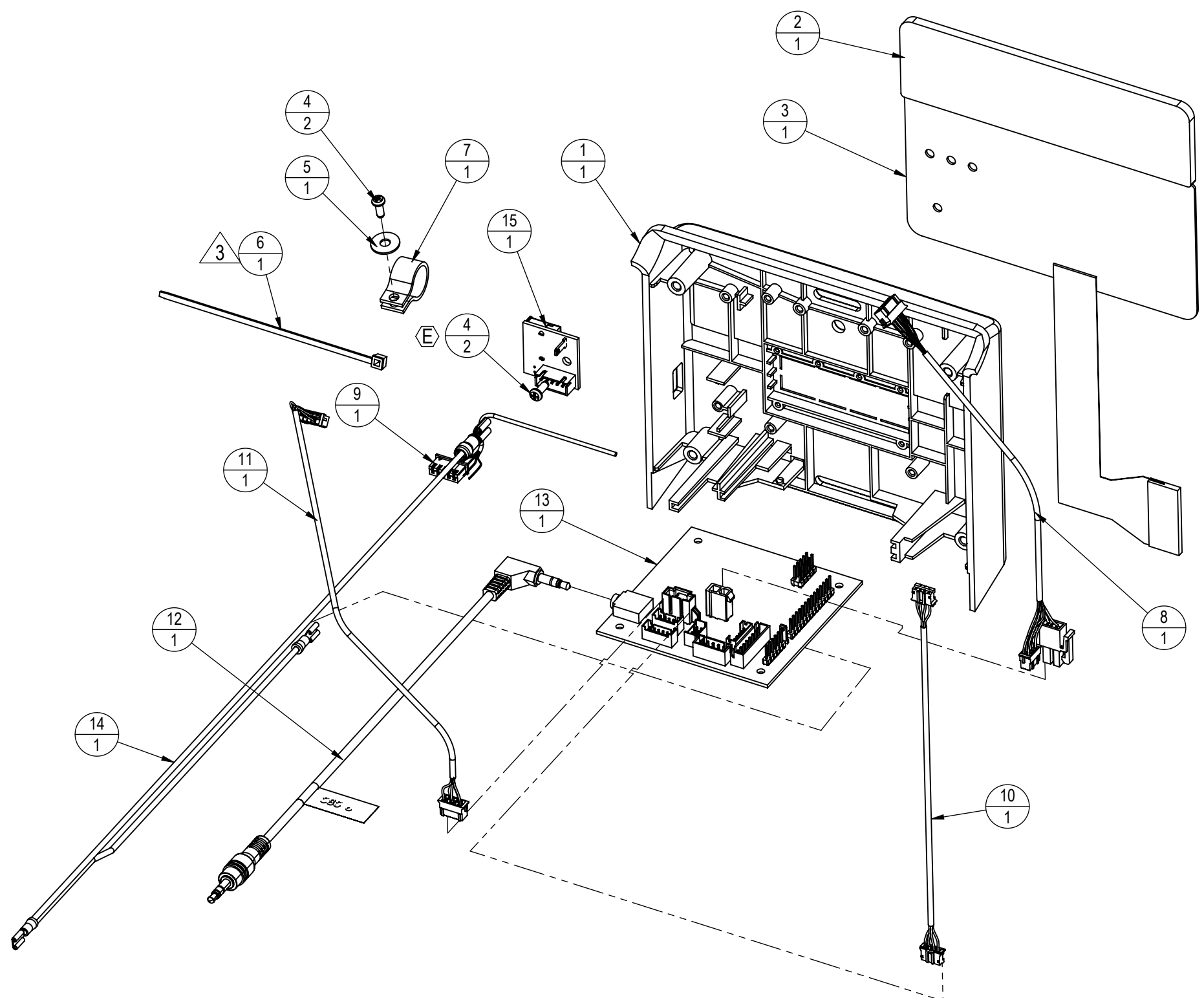
UNISEN, INC. DBA
STAR TRAC
14410 Myford Road
Irvine CA 92606

STARTRAC PART NO
718-5163 REV **C**

TITLE
ASSY, CENTER CONSOLE, E-BTSe

SCALE: 1:4 SHEET 1 OF 1 SHEET SIZE: B

REVISION HISTORY				
REV	DATE	DESCRIPTION	ECO	BY
A	07-02-08	PRODUCTION RELEASE	11946	AK
B	08-27-08	BOM: ADD P/N 140-0210, 715-3772, 715-3803, AND 715-3782 ADD CONNECTIVITY NOTES	12006	AK
C	11-19-08	BOM: ADDED P/N 140-0430, 110-3163, 120-3307; NOTES: REMOVE ALL NOTES FINISH NOTE: ADDED SEE SOP 620-7868	12055	AK
D	08-03-11	ADDED 020-7367, 050-2203, 050-2207, 110-3447, 740-6942; REMOVED 020-7280, 050-2148 & 718-5109.	13484	FJM
E	4/25/2012	REPLACED 110-3447 W/ 110-3163	13665	SV



ITEM NO.	PART NUMBER	DESCRIPTION	QTY
1	020-7367	HOUSING, CC, E-BCS, G2	1
2	050-2203	KEYPAD, BCS, CC-G2	1
3	050-2207	KEYPAD, CC ENTR/EMBEDD, G2	1
4	110-3163	SCREW, M3x0.5x8L,PHT,PH,CS,ZI	2
5	120-3307	WASHER, M4, 4.3mm I.D. X 12mm O.D., ISO 7089	1
6	140-0210	TIE STRAP, 3.5"	1
7	140-0430	CABLE CLAMP, .5"CURLY CLAMP	1
8	715-3772	CABLE, DIGITAL INTERFACE	1
9	715-3775	CABLE, USB CCB	1
10	715-3782	CABLE, FAN KEYPAD EXTENSION	1
11	715-3803	CABLE, CCB AV	1
12	715-3834	CABLE, 3.5mm PHONE PATCH	1
13	718-5156	ASSY, CCB5, Exe-SERIES	1
14	718-5179	CABLE, GROUND,MADE FOR iPod CC	1
15	740-6942	ASSY, USB BOARD, E-SPINNER	1

DOCUMENT STATUS:

CLASS OF WORK	UNLESS OTHERWISE SPECIFIED DIMS ARE IN mm. TOLERANCES FOR MEASURE OF LENGTH ARE:							ANGLES = ±2°
	0.5 to 3	>3 to 6	>6 to 30	>30 to 120	>120 to 400	>400 to 1000	>1000 to 2000	
FINE	±0.05	±0.05	±0.1	±0.15	±0.2	±0.3	±0.5	----
MEDIUM X	±0.1	±0.1	±0.2	±0.3	±0.5	±0.8	±1.2	±2
COARSE	±0.2	±0.3	±0.5	±0.8	±1.2	±2	±3	±4
VERY COARSE	----	±0.5	±1	±1.5	±2.5	±4	±6	±8

MATERIAL
SEE BOM

FINISH
SEE SOP 620-7868

VENDOR: N/A

P/N:

THIRD ANGLE PROJECTION	
DRAWN	INITIAL DATE
CHECKED	
APPROVED	
U.O.M.	MM

CORE INDUSTRIES, INC. DBA

 14410 Myford Road
 Irvine CA 92606

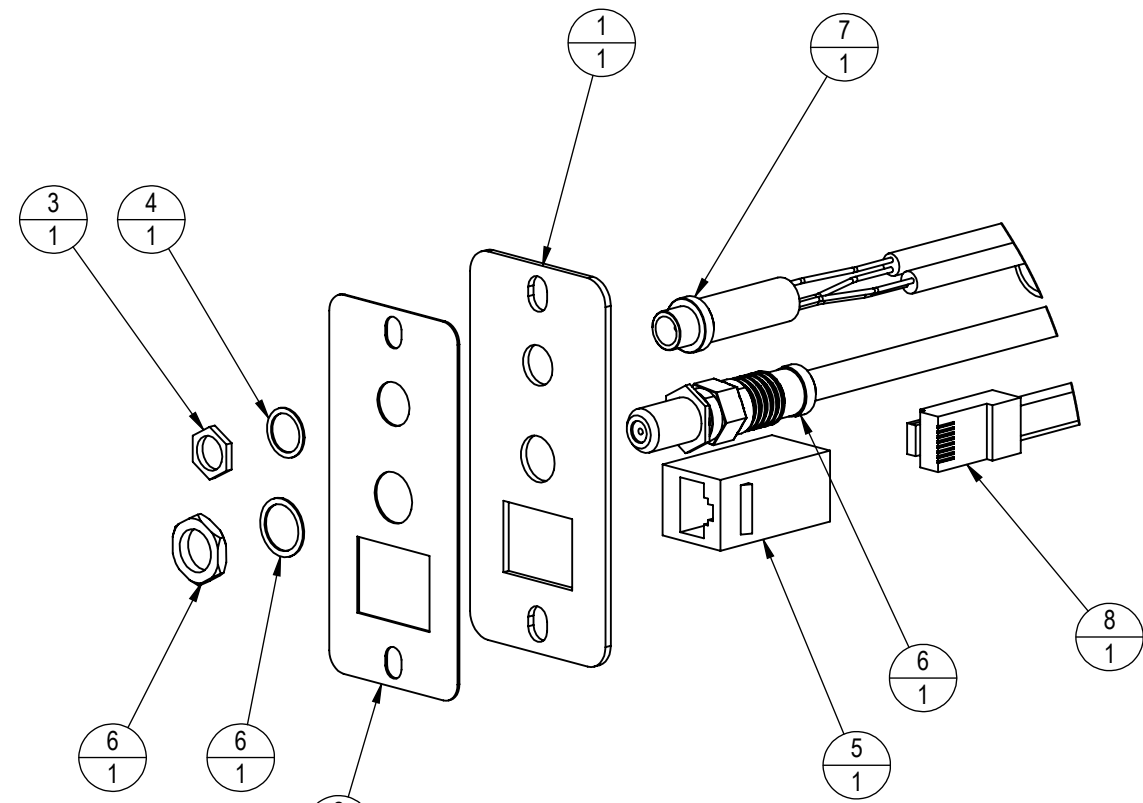
STARTRAC PART NO: **718-5163** REV: **E**

TITLE: **ASSY, CENTER CONSOLE, E-BTSe**

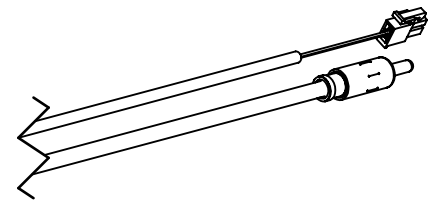
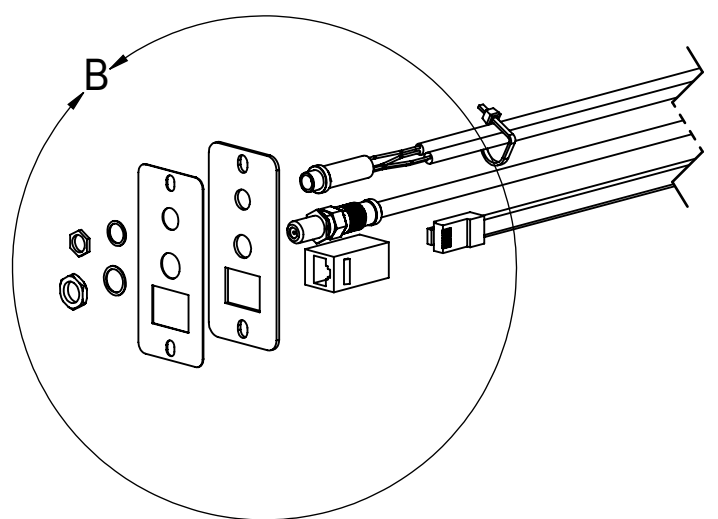
SCALE: 1:4 | SHEET 1 OF 1 | SHEET SIZE: B

NOTICE OF PROPRIETARY INFORMATION
 THIS DOCUMENT SHALL NOT BE REPRODUCED NOR
 SHALL THE INFORMATION CONTAINED HEREIN BE USED
 BY OR DISCLOSED TO OTHER EXCEPT AS EXPRESSLY
 AUTHORIZED BY CORE INDUSTRIES, INC., D.B.A. STAR TRAC.

REVISION HISTORY				
REV	DATE	DESCRIPTION	ECO	BY
003	8/18/2010	PROTOTYPE RELEASE	--	SCN
A	3/31/2011	PRODUCTION RELEASE	13487	SCN



DETAIL B
SCALE 2 : 3



NOTES:

DOCUMENT STATUS:

NOTICE OF PROPRIETARY INFORMATION
THIS DOCUMENT SHALL NOT BE REPRODUCED NOR SHALL THE INFORMATION CONTAINED HEREIN BE USED BY OR DISCLOSED TO OTHER EXCEPT AS EXPRESSLY AUTHORIZED BY CORE INDUSTRIES, INC., D.B.A. STAR TRAC.

CLASS OF WORK	UNLESS OTHERWISE SPECIFIED DIMS ARE IN mm. TOLERANCES FOR MEASURE OF LENGTH ARE:							ANGLES = ±2°
	0.5 to 3	> 3 to 6	> 6 to 30	> 30 to 120	> 120 to 400	> 400 to 1000	> 1000 to 2000	
FINE	±0.05	±0.05	±0.1	±0.15	±0.2	±0.3	±0.5	----
MEDIUM X	±0.1	±0.1	±0.2	±0.3	±0.5	±0.8	±1.2	±2
COARSE	±0.2	±0.3	±0.5	±0.8	±1.2	±2	±3	±4
VERY COARSE	----	±0.5	±1	±1.5	±2.5	±4	±6	±8

MATERIAL
SEE BOM

FINISH
N/A

VENDOR: N/A

P/N: N/A

ITEM NO.	PART NUMBER	DESCRIPTION	Drawing/QTY.
1	020-7132	CONNECTOR BASE PLATE,VLAD	1
2	050-2051	LABEL,BASE PLATE,VLAD	1
3	110-3129	NUT, 5/16-32X .06 THK, HEX PNL	1
4	120-3038	WASHER, 5/16 ID X .4 OD X .015, FLAT	1
5	240-6846	CONNECTOR, 8 PIN, INLINE	1
6	718-5126	CABLE, COAX, M-M, ST/TBT	1
7	718-5201	CABLE, POWER, VLAD, E-CT	1
8	740-7900	ASSY, HARNESS, CSAFE, E-CT	1

THIRD ANGLE PROJECTION



DRAWN	INITIAL SCN	DATE 8/18/10
CHECKED		
APPROVED		
	U.O.M.	MM

CORE INDUSTRIES, INC. DBA
STAR TRAC
14410 Myford Road
Irvine CA 92606

STARTRAC PART NO 740-7899	REV A
TITLE ASSY, EXT CONNECTIVITY, E-CT	
SCALE: 1:3	SHEET 1 OF 1
SHEET SIZE: B	